

Standby & Prime: 50 Hz



Image shown might not reflect actual configuration

Engine Model	Cat® C9.3B In-line 6, 4-cycle diesel
Bore x Stroke	115 X 149
Displacement	9.3 L
Compression Ratio	16.5:1
Aspiration	Turbocharged Air-to-Air Aftercooled
Fuel Injection System	Common Rail
Governor	Electronic ADEM A6

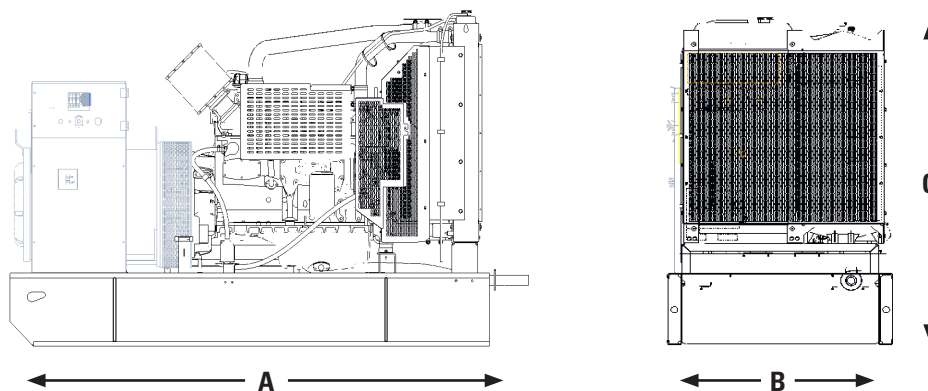
Model	Standby	Emission Strategy
DE400 GC	400 kVA	Non-Certified Emissions

PACKAGE PERFORMANCE

Performance	Standby
Frequency	50Hz
Genset Power Rating	400 kVA
Genset power rating with fan @ 0.8 power factor	320 kW _e
Emissions	Non-Certified Emissions
Performance Number	EM5661
Fuel Consumption	
100% load with fan, L/hr (gal/hr)	81.3 (21.5)
75% load with fan, L/hr (gal/hr)	61.0 (16.1)
50% load with fan, L/hr (gal/hr)	42.1 (11.1)
25% load with fan, L/hr (gal/hr)	24.8 (6.6)
Cooling System ¹	
Radiator air flow restriction (system), kPa (in. Water)	0.125 (0.5)
Radiator air flow, m ³ /min (cfm)	421 (14867.5)
Engine coolant capacity, L (gal)	20.3 (4.5)
Radiator coolant capacity, L (gal)	16.9 (3.7)
Total coolant capacity, L (gal)	37.2 (8.2)
Inlet Air	
Combustion air inlet flow rate, m ³ /min (cfm)	20.5 (724)
Max. Allowable Combustion Air Inlet Temp, °C (°F)	54 (129)
Exhaust System	
Exhaust stack gas temperature, °C (°F)	512 (954)
Exhaust gas flow rate, m ³ /min (cfm)	52.8 (1864.6)
Exhaust system backpressure (maximum allowable) kPa (in. water)	15 (60)
Heat Rejection	
Heat rejection to jacket water, kW (Btu/min)	131 (7450)
Heat rejection to exhaust (total) kW (Btu/min)	284 (16151)
Heat rejection to aftercooler, kW (Btu/min)	74.7 (4248)
Heat rejection to atmosphere from engine, kW (Btu/min)	29.3 (1666)

Emissions (Nominal) ²		Standby		
NOx, mg/Nm ³ (g/hp-hr)		3971.9 (7.91)		
CO, mg/Nm ³ (g/hp-hr)		187.9 (0.37)		
HC, mg/Nm ³ (g/hp-hr)		23.7 (0.05)		
PM, mg/Nm ³ (g/hp-hr)		3.8 (0.01)		
Alternator ³				
Voltages		380V	400V	415V
Motor starting capability @ 30% Voltage Dip		830	918	1108
Current, Amps		608	577	556
Frame Size		A2925L41		
Excitation		Self Excitation		
Temperature Rise, °C		163		

WEIGHTS & DIMENSIONS



Note: General configuration not to be used for installation. See general dimension drawings for detail.

Dim "A" mm (in)	Dim "B" mm (in)	Dim "C" mm (in)	Dry Weight kg (lb)
2662 (104.8)	1120 (44.1)	1766 (69.5)	2300 (5070.6)

APPLICABLE CODES AND STANDARDS:

AS1359, CSA C22.2 No100-04, NFPA37, NFPA70, NFPA99, NFPA110, IEC60034-1, ISO3046, ISO8528, 2006/95/EC, 2006/42/EC, 2004/108/EC.

Note: Codes may not be available in all model configurations. Please consult your local Cat Dealer representative for availability.

STANDBY: Output available with varying load for the duration of the interruption of the normal source power. Average power output is 70% of the standby power rating. Typical operation is 200 hours per year, with maximum expected usage of 500 hours per year.

RATINGS: Ratings are based on SAE J1349 standard conditions. These ratings also apply at ISO3046 standard conditions.

DEFINITIONS AND CONDITIONS

¹ For ambient and altitude capabilities consult your Cat dealer. Air flow restriction (system) is added to existing restriction from factory.

² Emissions data measurement procedures are consistent with those described in EPA CFR 40 Part 89, Subpart D & E and ISO8178-1 for measuring HC, CO, PM, NOx. Data shown is based on steady state operating conditions of 77° F, 28.42 in HG and number 2 diesel fuel with 35° API and LHV of 18,390 BTU/lb. The nominal emissions data shown is subject to instrumentation, measurement, facility and engine to engine variations. Emissions data is based on 100% load and thus cannot be used to compare to EPA / EU regulations which use values based on a weighted cycle.

³ Generator temperature rise is based on a 27° C ambient temperature.

LET'S DO THE WORK.™

LEHE2678-01 (11/20)

www.Cat.com/electricpower
All rights reserved.

Materials and specifications are subject to change without notice. The International System of Units (SI) is used in this publication. © 2020 Caterpillar. All Rights Reserved. CAT, CATERPILLAR, LET'S DO THE WORK, their respective logos, "Caterpillar Corporate Yellow", the "Power Edge" and Cat "Modern Hex" trade dress as well as corporate and product identity used herein, are trademarks of Caterpillar and may not be used without permission