

Cat® DE605 GC

Diesel Generator Sets



Standby: 50 Hz



Image shown might not reflect actual configuration

Engine Model	Cat® C15 In-line 6, 4-cycle diesel
Bore x Stroke	137mm x 171mm (5.4in x 6.8in)
Displacement	15.2 L (928 in ³)
Compression Ratio	
Aspiration	Turbocharged Air-to-Air Aftercooled
Fuel Injection System	EUI
Governor	Electronic ADEM™ A4

Model	Standby 50 Hz kVA (ekW)	Emission Strategy
DE605 GC	605.0 (484.0)	Low BSFC

PACKAGE PERFORMANCE

Performance	Standby 50 Hz
Genset power rating	605
Genset power rating with fan @ 0.8 power factor	484
Emissions	Low BSFC
Performance number	EM5622
Fuel Consumption	
Fuel tank capacity, litres (US gal)	910 (240.4)
100% load with fan, L/hr (gal/hr)	121.9 (32.2)
75% load with fan, L/hr (gal/hr)	92.4 (24.4)
50% load with fan, L/hr (gal/hr)	64.4 (17.0)
Cooling System¹	
Radiator air flow, m ³ /min (cfm)	477 (16845)
Radiator air flow restriction (system), kPa (in. Water)	0.125 (0.5)
Total coolant capacity, L (gal)	48 (12.7)
Inlet Air	
Max. combustion air intake restriction, kPa (in H ₂ O)	6.2 (24.9)
Combustion air inlet flow rate, m ³ /min (kg/hr)	34.2 (2407)
Exhaust System	
Exhaust stack gas temperature, °C (°F)	455 (851)
Exhaust gas flow rate, m ³ /min (cfm)	92.8 (3277)
Exhaust system backpressure (minimum allowable), kPa (in. water)	9.0 (36.2)
Exhaust system backpressure (maximum allowable), kPa (in. water)	16.6 (66.7)
Heat Rejection	
Heat rejection to jacket water, kW (Btu/min)	173 (9838)
Heat rejection to exhaust (total) kW (Btu/min)	458 (26046)
Heat rejection to atmosphere from engine, kW (Btu/min)	33.0 (1877)
Heat rejection to Aftercooler, kW (Btu/min)	109 (6199)

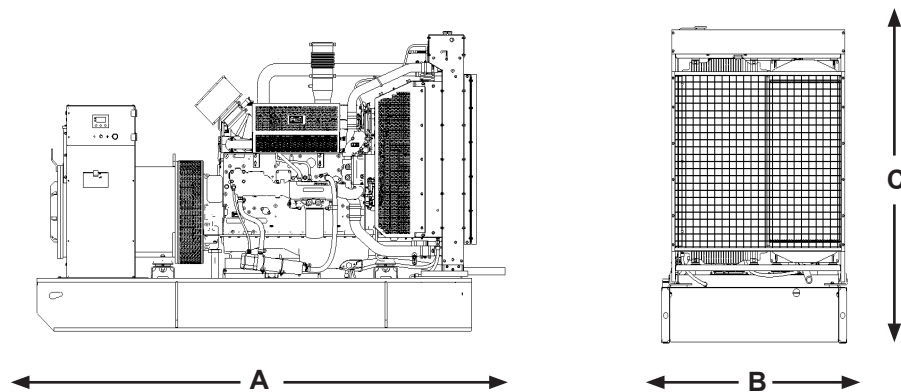
DE605 GC Diesel Generator Sets

Electric Power



Alternator ²	50 Hz		
Voltages	380V	415V	400V
Motor starting capability @ 30% Voltage Dip, skVA	1282	1722	1418
Current, amps	841.68	873.24	919.20
Temperature Rise, °C	163		
Frame Size	A3325L41		
Excitation	S.E		

WEIGHTS & DIMENSIONS



Note: General configuration not to be used for installation. See general dimension drawings for detail.

Dim "A" mm (in)	Dim "B" mm (in)	Dim "C" mm (in)	Dry Weight kg (lb)
3328 (131.0)	1540 (60.6)	2187 (86.1)	3683 (8119.6)

APPLICABLE CODES AND STANDARDS:

AS1359, NFPA37, NFPA70, NFPA99, NFPA110, IEC 60034-1, ISO 3046, ISO 8528, 2006/95/EC, 2006/42/EC, 2004/108/EC. Note: Codes may not be available in all model configurations. Please consult your local Cat Dealer representative for availability.

STANDBY: Output available with varying load for the duration of the interruption of the normal source power. Average power output is 70% of the standby power rating. Typical operation is 200 hours per year, with maximum expected usage of 500 hours per year.

RATINGS: Ratings are based on SAE J1349 standard conditions. These ratings also apply at ISO 3046 standard conditions.

DEFINITIONS AND CONDITIONS

¹ For ambient and altitude capabilities consult your Cat dealer. Air flow restriction (system) is added to existing restriction from factory.

² Generator temperature rise is based on a 27°C ambient per NEMA MG1-32.

LET'S DO THE WORK.™

www.cat.com/electricpower

©2021 Caterpillar
All rights reserved.

Materials and specifications are subject to change without notice.

The International System of Units (SI) is used in this publication. CAT, CATERPILLAR, LET'S DO THE WORK, their respective logos, "Caterpillar Corporate Yellow" the "Power Edge" and Cat "Modern Hex" trade dress as well as corporate and product identity used herein, are trademarks of Caterpillar and may not be used without permission.